


Features:

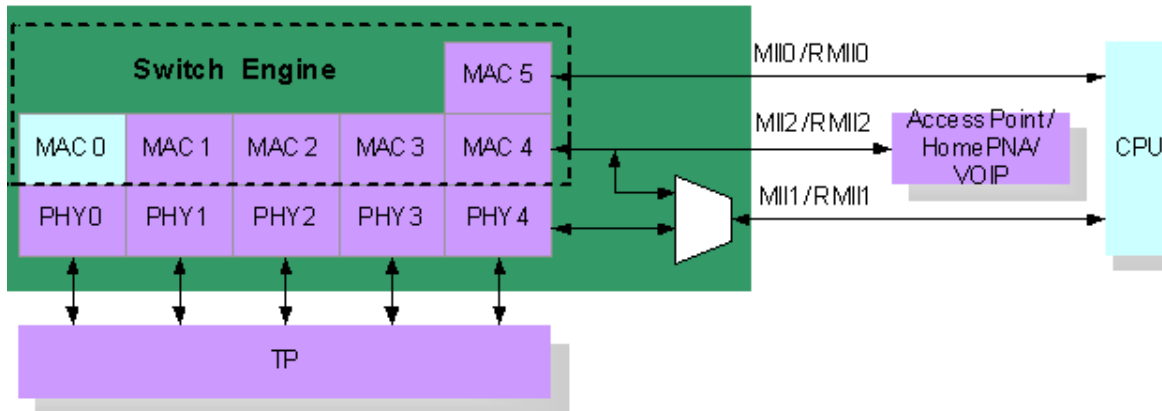
- 5 port Embedded 10/100 PHY Switch Controller
- Support 5 100BaseTX or 4 100Base TX + 1 FX
- Support Auto MDI-MDIX function

Technical Parameters:

Chipset	MediaTek/MTK7530
Port number	5 port 10/100/1000M Auto MDI-MDIX RJ45
Standard	IEEE 802.3, IEEE 802.3u, IEEE 802.3x, IEEE 802.3ab
Network media	10BASE-T: UTP category 3, 4, 5 cable (maximum 100m) 100BASE-TX/1000BASE-T: UTP category 5, 5e or above cable (maximum 100m)
Data rate	10/100/1000M
Forwarding rate	1,488,000 pps for 1000M 148,800 pps for 100M 14,880 pps for 10M
LED Indicator	Power, Link/Act
Dimension	100*70*25 mm
Power Input	External Power Adapter DC5V/500mA
Weight	76g
Environment	Operating Temperature: 0 °C-40 °C
	Relative Humidity: 10%-90%(non-condensing)
	Storage Temperature: -40°C-70°C
	Relative Humidity: 5%-90%(non-condensing)

Chipset Feature :

- 5 port Embedded 10/100 PHY Switch Controller
- Support 5 100BaseTX or 4 100Base TX + 1 FX
- Support Auto MDI-MDIX function
- Power Management Tool (PWMT[®])
 - APS, auto-power saving while Link-off
 - IEEE 802.3az protocol based power saving & 10Mbps Te for 10Mbps
- - WOL+[®], light traffic power saving
- - PWD, force-off power saving
- Support Auto Factory Test (AFT[®])
- Single Power 3.3V supply
- Built in Vcore Regulator
 - Two Priority queues per port
- Support 802.1p & DiffServ based QoS
- QoS
 - Port base
 - 802.1p
 - IP DiffServ IPV4/IPV6
 - TCP/UDP port number
 - Pins configure ports priority (VIP port)
- Support max forwarding packet length 1552/1536 bytes option
- Support port mirror function
- Support 1k MAC address
- Support broadcast storm protection
- Support port trunking (LACP)
- Support 16 VLAN (IEEE Std 802.1q)
 - Port-based/Tagged-based VLAN
 - Support insert, remove tag
- Built-in 50 ohm resistors for simplifying BOM
- 85nm Process
- Package and operation temperature
- IP175G: 48 Pin QFN(6x6), 0~70°C

Chipset Block Diagram

LED State

LED	Color	10M	100M	1G
Link	Green	ON	ON	ON
Action	Green	Twinkle	Twinkle	Twinkle