



# USER MANUAL

---

## 4K 200M KVM IP Extender

**P/N: ITT-HDMI-IP4K**

## Introduction:

HDMI 200M Extender over IP is based on TCP/IP standard. It transmits your HD display with the high resolution up to 200 meters away from your DVD or computer source by using one CAT5e/6 cable.

At the same time, it's convenient to transmit HDMI audio and video source by point-to-point mode, multipoint-to-multipoint and cascade connection mode .



## Features

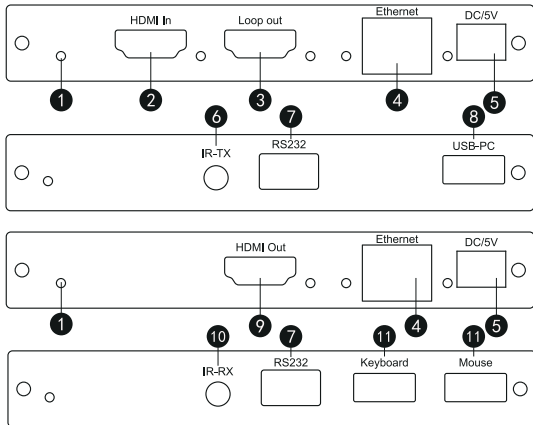
- \* Support point-to-point mode, multipoint-to-multipoint mode; and cascade connection mode;
- \* Support RS232;
- \* 802.3 Ethernet standard;
- \* Support IR remote control;
- \* Support USB mouse and keyboard extension;
- \* The design of pure hardware, plug and play, no need for additional software.

## Specifications

Resolutions .....	480p,720p,1080p,4K/30Hz
Audio .....	Sample rate:32kHz,44.1kHz and 48kHz code
IR remote control .....	38 KHz (NEC)
Power adapter format .....	Input AC (50HZ, 60HZ) 100V-240V; output: DC5V/1A
The max working current .....	TX 650mA, RX 450mA
Size(L-W-H) .....	122*84*19mm
Weight .....	180g x 2

Operating Temperature/Humidity ..... 0°C-45°C/10%-80%RH(no condensation)  
Storage Temperature/Humidity ..... -10°C-70°C/5%-90%RH(no condensation)

## Physical interface diagram

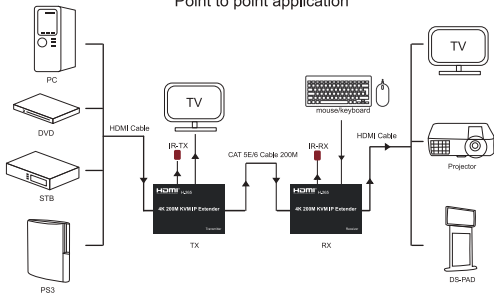


- |                                      |   |
|--------------------------------------|---|
| 1: Reset key hole                    | 7: RS232 — RS232 port                     |
| 2: HDMI In — HDMI Input port         | 8: USB-PC — USB port, Connect to PC       |
| 3: Loop out -- HDMI Loop Output port | 9: HDMI Out — HDMI Output port            |
| 4: Ethernet — Network port           | 10: IR-RX — IR extension port             |
| 5: DC/5V — Power port                | 11: Keyboard/Mouse — mouse/keyboard input |
| 6: IR-TX — IR extension port         |   |

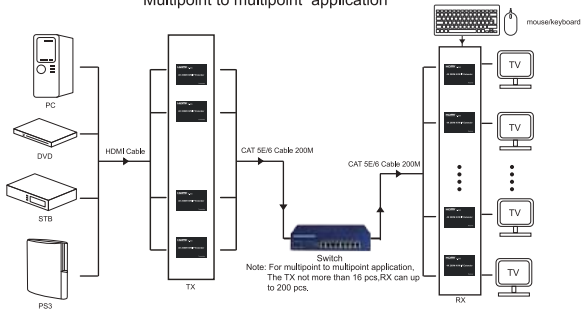
Note: When forget the IP address, you can use the needle to insert the hole of reset key, keep to press for 3 seconds to restore original setting IP.

# Application diagrams

## Point to point application



## Multipoint to multipoint application



## Connection and operation :

- 1: Connect the HDMI source (such as DVD, PS3, STB ) to the "HDMI IN" of transmitter by HDMI cable.
- 2: Connect the "HDMI out" of Receiver to HDTV display by HDMI cable.
- 3: Connect the Transmitter and Receiver with one cat5e/6 cable (recommend),the furthest distance is 200M.
- 4: Connect the "IR receiver "into "IR-RX" port on receiver, and "IR transmitter " into the "IR-TX" on transmitter, and make sure the IR transmitter aim at IR port of the source.
- 5: Plug the mouse and keyboard into the USB port of the receiver, and connect the USB port of the transmitter with the computer if you need the KVM control function.
- 6: Connect two pieces of 5V power supply to the transmitter and receiver, at this time, the power light of the extender is on; and when the status light is on and flashing, the device starts normally.
- 7: Multipoint to multipoint match setting: when many TX and many RX connect to the switch, the IP extender can be paired and connected according to the settings of the Web browser.

## Application diagrams

HDMI 200M extender over IP is used in audio-visual conference, command and control center, ticketing platform, home theater, multi-media teaching, conference system and so on.



audio-visual conference



command and control center



home theater

## The Package contents :

1. Transmitter	1PC	4. IR cable	1Pair
2. Receiver	1PC	5. User's Manual	1PC
3. 5V Power adapter	2PCS	6. USB cable male to male	1PC