

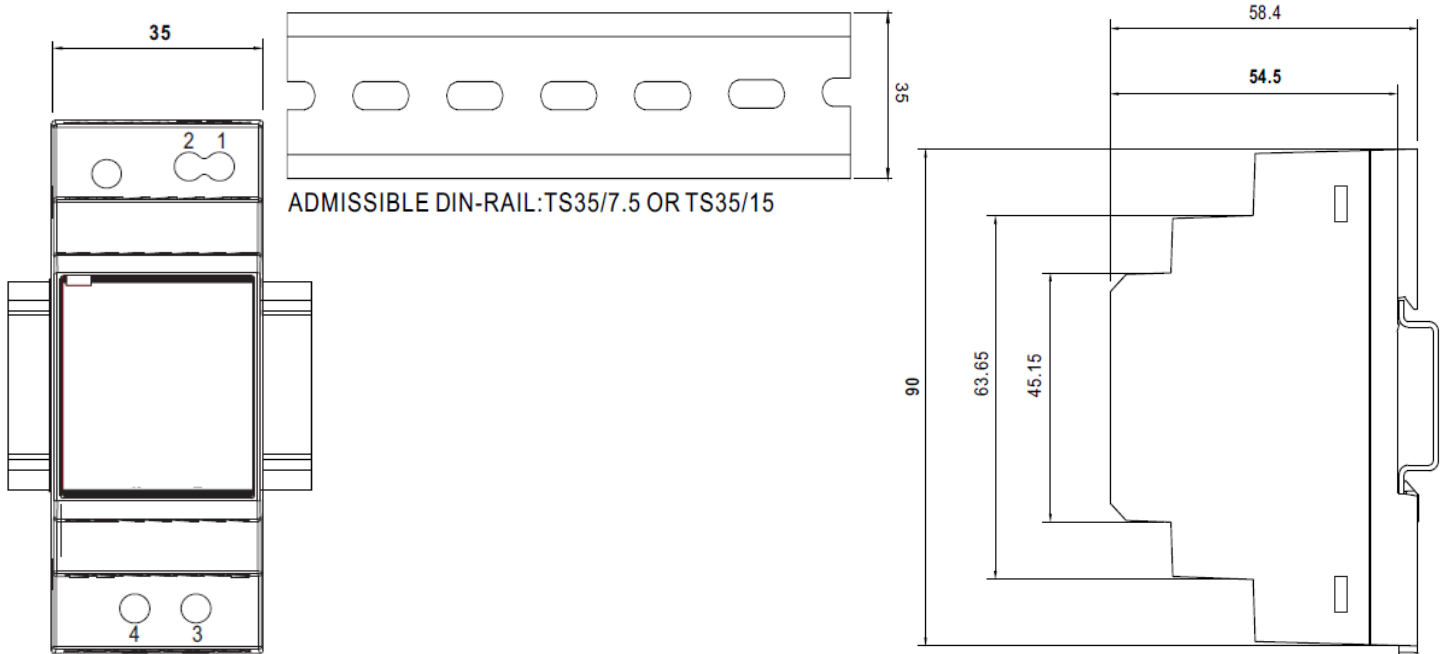


Features:

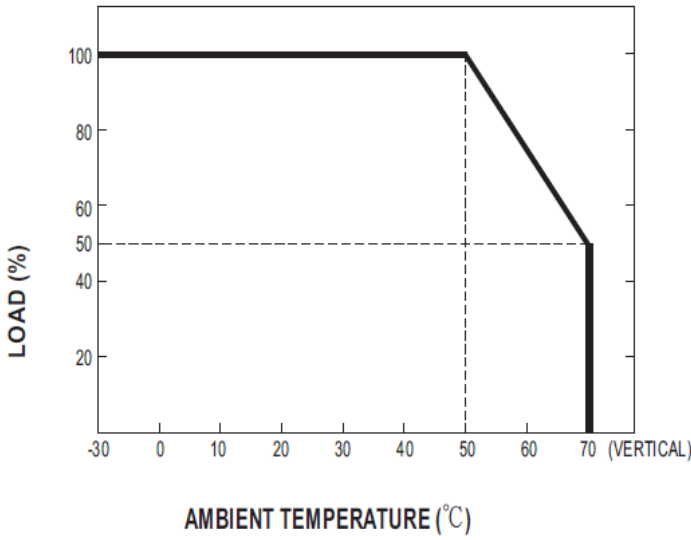
- Ultra slim design with 35mm(2SU) width
- Universal input 85-264VAC(277VAC operational)
- No load power consumption<0.3W
- Isolation class II
- Pass LPS (Limited power source)
- DC output voltage adjustable
- Protections : Short circuit / Overload / Over voltage
- Cooling by free air convection
- DIN rail TS-35/7.5 or 15 mountable
- Over voltage category III
- LED indicator for power on

Description:

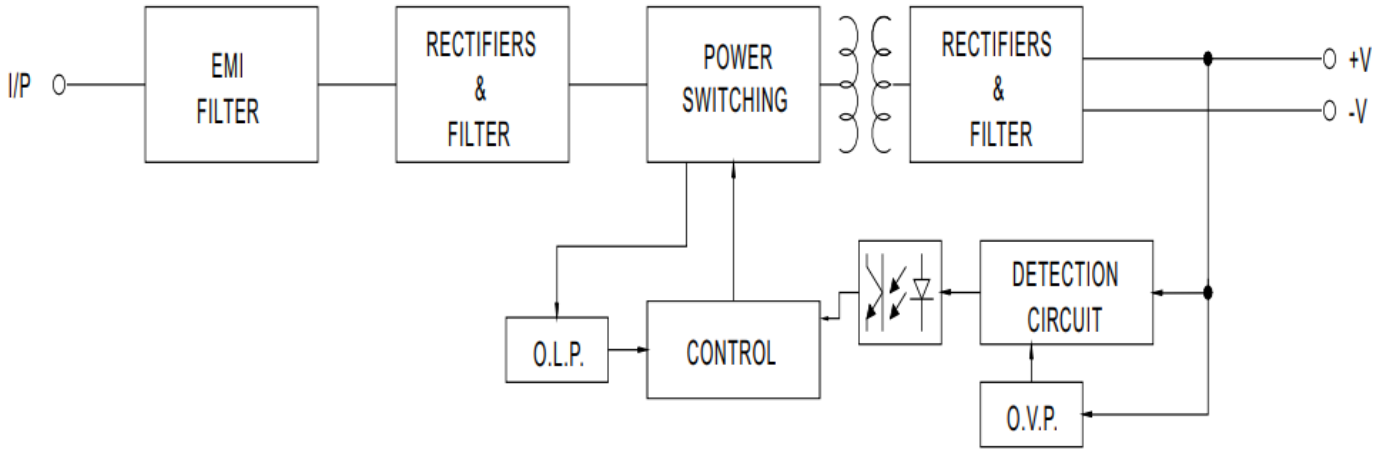
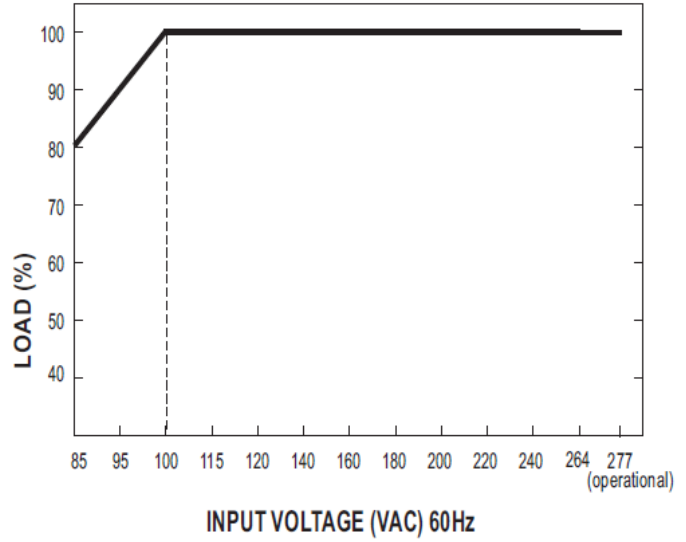
The ITT-PO5714 Description is one economical ultra slim 30W DIN rail power supply series, adapt to be installed on T S-35/7.5 or TS-35/15 mounting rails. The body is designed 35mm(2SU) in width, which allows space saving inside the cabinets. The entire series adopts the full range AC input from 85VAC to 264VAC(277VAC operational) and conforms to EN61000-3-2, the norm the European Union regulates for harmonic current. ITT-PO5714 is designed with plastic housing that it can effectively prevent user from electric hazards. With working efficiency up to 90%, the entire series can operate at the ambient temperature between -300C and 700C under air convection. The complete protection functions and relevant certificates for home automations and industrial control apparatus (I EC62368-1 , UL508,UL62368-1 , EN61558-2-16) make HDR-30 a very competitive power supply solution for household and industrial applications.



■ Derating Curve



■ Output Derating VS Input Voltage



Terminal Pin No. Assignment

Pin No.	Assignment	Pin No.	Assignment
1	+V	3	AC/L
2	-V	4	AC/N

Technical Parameters:

• Technology	➤ AC/DC
• Power Format	➤ DIN rail
• Output Power (W)	➤ 30
• Output Voltage (V)	➤ 12
• Output Current (A)	➤ 2
• Input Voltage (V)	➤ 85 - 264 ➤ Universal Input 110/230V
• IP Rating	➤ No IP assigned
• Width (mm)	➤ 35
• Height (mm)	➤ 90
• Depth (mm)	➤ 54.5
• Dimming Technology	➤ No Dimming
• CURRENT RANGE	➤ 0 ~ 2A
• LINE REGULATION	➤ ±1.0%
• SETUP, RISE TIME	➤ 500ms, 50ms/230VAC 500ms, 50ms/115VAC at full load
• EFFICIENCY (Typ.)	➤ 88%
• INRUSH CURRENT (Typ.)	➤ COLD START 25A/115VAC 45A/230VAC
• OVERLOAD	➤ 105 ~ 160% rated output power
• MTBF	➤ 968.1K hrs min. MIL-HDBK-217F (25) °C
• PACKING	➤ 0.12Kg;96pcs/12.5Kg/1.1CUFT
• VIBRATION	➤ 10 ~ 500Hz, 2G 10min./1cycle, period for 60min. each along X, Y, Z axes; Mounting: Compliance to IEC60068-2-6
• OPERATING ALTITUDE	➤ 2000 meters
• SAFETY STANDARDS	➤ UL62368-1, U 508, TUV EN61558-2-16 IEC62368-1, , BSMI CNS14336-1 a L , pproved; Design refer to TUV EN62368-1 EAC TP TC 004
• WITHSTAND VOLTAGE	➤ I/P-O/P:4KVAC
• ISOLATION RESISTANCE	➤ I/P-O/P:100M Ohms / 500VDC / 25 / 70% RH °C