

Tactical Cable Connector ITT-YZ Series

P/N: ITT-FO4214



ITT-YZ02P Plug

ITT-YZ02S Socket

ITT-YZ04P Plug

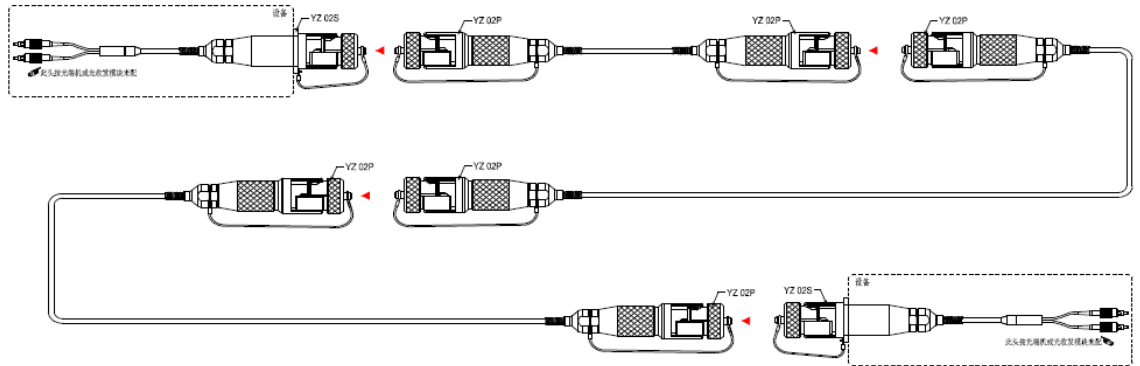
ITT-YB04S Socket

Designed for military field fiber optic cable supporting, neutral bayonet locking structure supporting fastly connection. With multi-core once connected and blind insertion; connection loss, high reliability; rugged, waterproof, dustproof, resistance to harsh environments. ITT-Y (Plastic shell) 2/4 cores.

Products are mainly used for

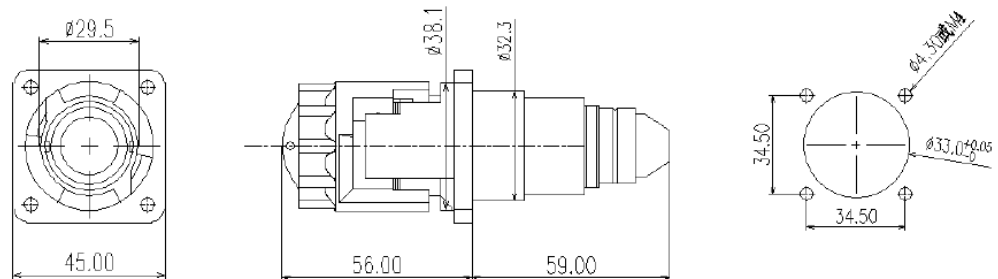
- military emergency communications,
- broadcast television,
- emergency rush through optical fiber communications,
- mining,
- oil and so on.

Connection Drawing



Two equipment Link connection extending Drawing

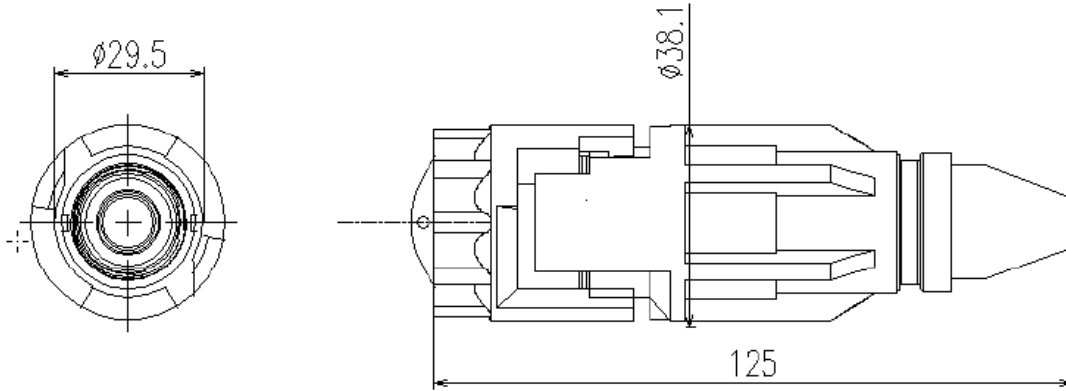
ITT-YZ Socket Size



SERVICES:
Guaranteed Warranty



ITT-YZ Plug Size



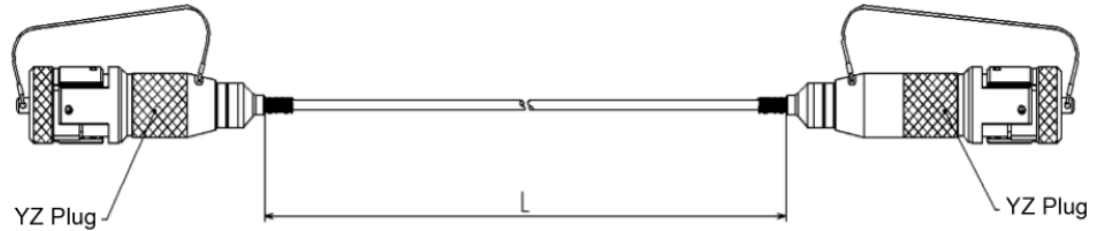
Interface:

Insertion Loss	<ul style="list-style-type: none"> ➤ SM: $\leq 1.0\text{dB}$ (Typical $\leq 0.5\text{dB}$) ➤ MM: $\leq 1.0\text{dB}$ (Typical $\leq 0.3\text{dB}$)
Return Loss	<ul style="list-style-type: none"> ➤ SM: $\geq 50\text{dB}$
Mechanical	<ul style="list-style-type: none"> ➤ Plug: $\leq 1000\text{N}$ (Main Cable) ➤ Socket: $\leq 100\text{N}$ (Branch Cable)
Operation Temp.	<ul style="list-style-type: none"> ➤ $-40^{\circ}\text{C} \sim 85^{\circ}\text{C}$
IP Rate	<ul style="list-style-type: none"> ➤ IP67
Cable Parameter	<ul style="list-style-type: none"> ➤ Cable OD.: 3.0mm, 4.0mm, 5.0mm, 7.5mm ➤ Outer Sheath: TPU or Hytel ➤ Anti-push: Unit KEVLAR ➤ Fiber: Type 9/125, 50/125, 62.5/125 ➤ Fiber Outer: 900um fiber ➤ Tensile Strength Short term: 600N Long term: 200N
Certifications:	<ul style="list-style-type: none"> ➤ CE, FCC, RoHS

SERVICES:
Guaranteed Warranty



ITT-Y Assembly Ordering Info:



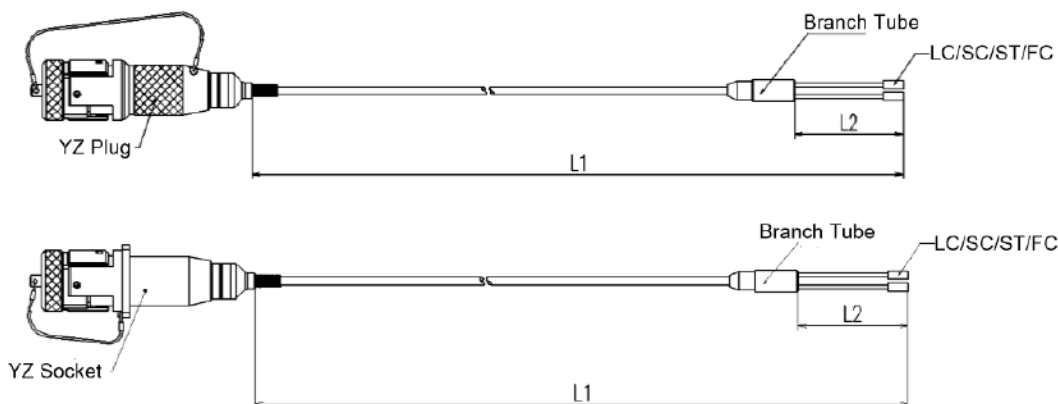
End A Plug (Socket)	ITT-YZ02P	ITT-YZ02P	L100m	SM4.0
End B Plug (Socket)				
Length	100m- fiber length 100m			
Fiber Type	SM - Single Mode fiber (9/125) A1a - Multi Mode fiber (50/125) A1b - Multi Mode fiber (62.5/125) OM3 - OM3-300 fiber			

[Ordering info example]

- (1) ITT-YZ02P ITT-YZ02P-L100m-SM4.0
Both end is ITT-YZ02P Plug, length is 100m 4.0mm 2core Tactical Armored Optical Cable.
- (2) ITT-YZ02P ITT-YZ02S-L100m-SM4.0
End A is ITT-YZ02P Plug, End B is ITT-YZ02S Socket, length is 100m 4.0mm 2core Tactical Armored Optical Cable.

SERVICES:
Guaranteed Warranty





End A Plug (Socket)	ITT-YZ02S	2ST	L3/0.3m	SM3.0
End B Connector	2ST Connector (LC, ST, FC optional)			
Length	L3-Total fiber length 3m / 0.3m- Branch Cable is 0.3m			
Fiber Type	SM- Single Mode fiber (9/125) A1a- Multi Mode fiber (50/125) A1b- Multi Mode fiber (62.5/125) OM3- OM3-300 fiber 1.8- Branch Cable O.D. is 1.8mm 3.0- Branch Cable O.D. is 3.0mm			

[Ordering info example]

- (1) ITT-YZ02S-2ST-L3/0.3m-SM3.0
End A is ITT-YZ02S Socket, end B is 2ST connector, length is 3/0.3m, SM armored tactical branch cable, O.D. is 3.0mm
- (2) ITT-YZ02P-2ST-L3/0.3m-SM3.0
End A is ITT-YZ02P Plug, end B is 2ST connector, length is 3/0.3m, SM armored tactical branch cable, O.D. is 3.0mm
- (3) ITT-YZ04P-4ST-L3/0.3m-SM1.8
End A is ITT-YZ04P Plug, end B is 4ST connector, length is 3/0.3m, SM armored tactical branch cable, O.D. is 1.8mm

SERVICES:
Guaranteed Warranty

